

# CLEAN WATER DELIVERED AT HIGH FLOW RATES

## PRIDE OF THE FARMS 100% ENERGY FREE DRINKER - A BETTER ANSWER THAN CONTINUOUS FLOW

In irrigated areas, up to 30% of all agricultural water is used for cattle production with most being consumed in feed lots. Regardless of what happens with rainfall, the pressure will only increase to conserve water. Watershed management will continue to be prominent with well depth reporting, allocations and other regulatory actions on the rise. Pride of the Farm has the answer - MODEL WPM120 100% ENERGY FREE DRINKER. Our drinker will keep your animals watered using the least amount of water of any other option.

**TAKE CONTROL BY CONSERVING WATER. DON'T LET THE REGULATORS FORCE YOU TO DO WHAT . . . YOU DON'T WANT TO DO !**

Energy free drinkers are just that - zero energy costs incurred to provide ice free operations in cold weather months.

Because of our superior insulation, water stays cooler in the warmest months.

When was the last time you saw a headline which says:

**"ELECTRIC RATES SET TO DECREASE"?**

*We've Been Watering  
Animals Since 1903!*



**POLAR-MAX® 100% ENERGY FREE**



MODEL WPM120 is a proven performer in the demanding commercial feedyard applications

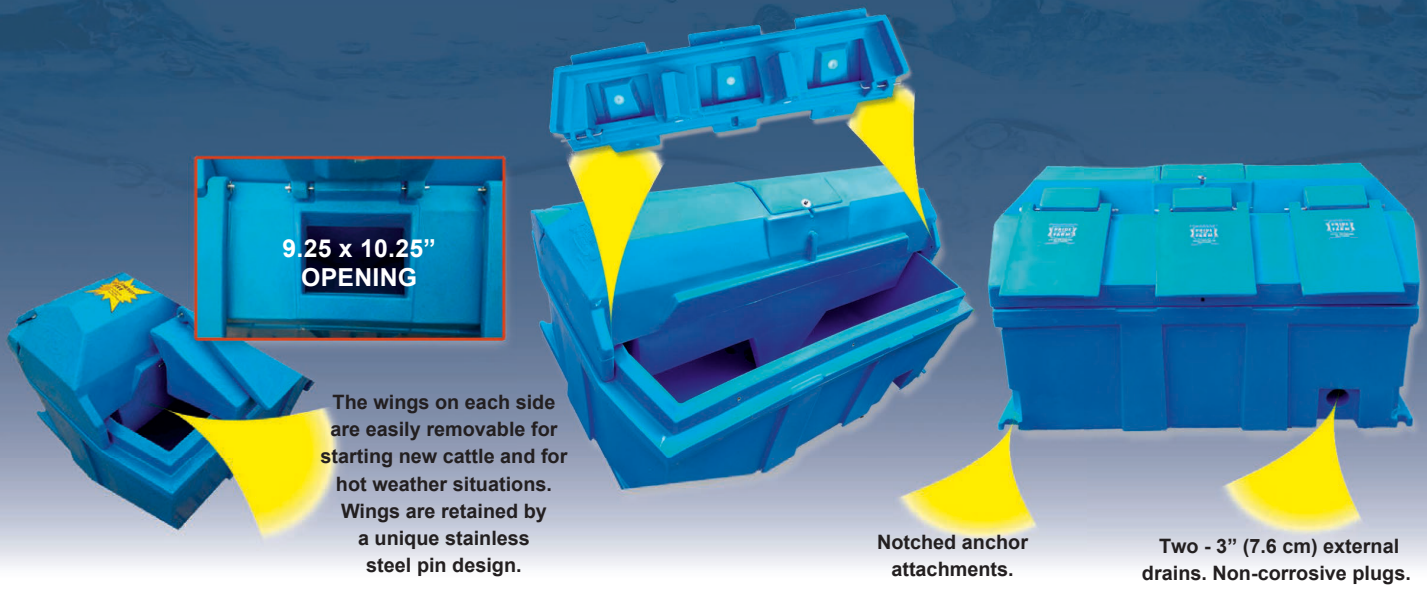


Our drinkers are so well insulated that some producers do not use flaps or remove some flaps even in winter (must have sufficient drinking activity)

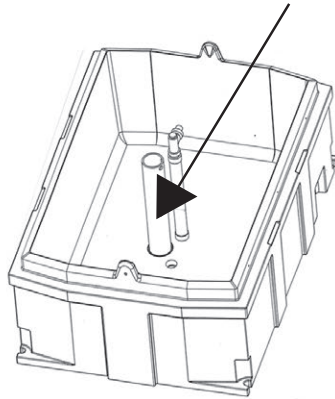


**MADE IN RURAL AMERICA!**

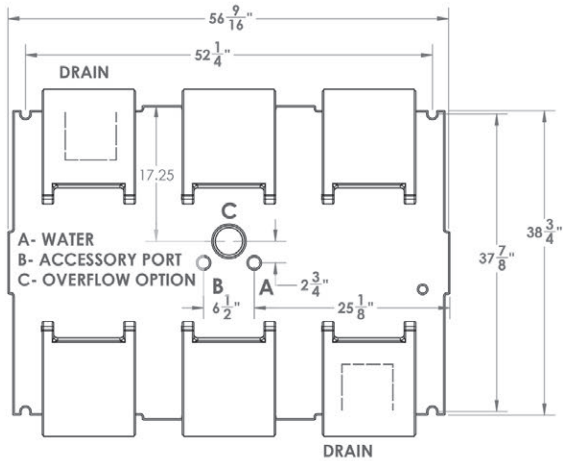




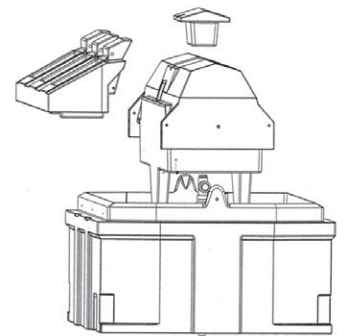
Model WPM120 is designed with an optional 3" (7.6 cm) internal drain which permits easy and fast cleaning and which also permits continuous flow operation. Drinker will drain in about 2 minutes.



**WPM120 FOOTPRINT TOP DOWN VIEW**



Top port is removable using no tools. When port is removed, you have top access to the valve, optional shutoff and our optional 3" (7.6 cm) internal drain.



**Specifications**

MODEL NUMBER	APPROXIMATE CAPACITY			SIZE INCHES (CM)					WEIGHT LBS (KG)
	ANIMALS	WATER		DRINK OPENING	DRINK HEIGHT	OVERALL WIDTH**	OVERALL LENGTH	OVERALL HEIGHT	
		GALLONS	LITERS						
WPM120 A 6 opening drinker designed for commercial feedyards and dairies	350 Beef 150 Dairy 225 cow-calf	110	416.4	9.3 x 10.3 (23.5 x 26.0)	22.5 (57.2)	44 (111.8)	56.5 (144)	32.3 (82.0)	197 (89.5)
WPM120-O (WPM120 LESS WINGS)	350 Beef 150 Dairy 225 cow-calf	110	416.4	8.75 x 47.0 (22.2 x 119.4)	21.0 (53.3)	38 (96.5)	56.5 (144)	32.3 (82.0)	143 (65.0)

\* Capacities may vary according to weather conditions, pen size and animal size. If in doubt, get a recommendation from your extension agent or other qualified individual.  
 \*\* Overall width includes flap overhang

**OUR CURRENT ENERGY FREE DESIGN HAS BEEN SUCCESSFULLY USED SINCE 1952!**

USA patent numbers 321,769;322,336: 322,869: 3,877,482: 4,100,885: 4,542,715: 4,708,091: 4,962,730 and 5,105,711 and RE 34,427. Canadian patent number 2,017,662. NOTE: We've been at the energy-free waterer business longer than any other manufacturer. The Eaton division of Hawkeye Steel Products, Inc., owned the three oldest U.S. energy-free patents. These are patent numbers 1028998, issued June 11, 1912: 1,220,404, issued March 27, 1917: and 1,375,039, issued April 19, 1921.

